

# AVVOLGITUBO A 2 VIE IDRAULICHE

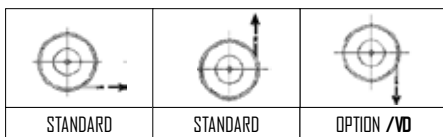
# 2 PORT HOSE REEL

# A2

## ENROULEUR HYDRAULIQUE À 2 TUYAUX

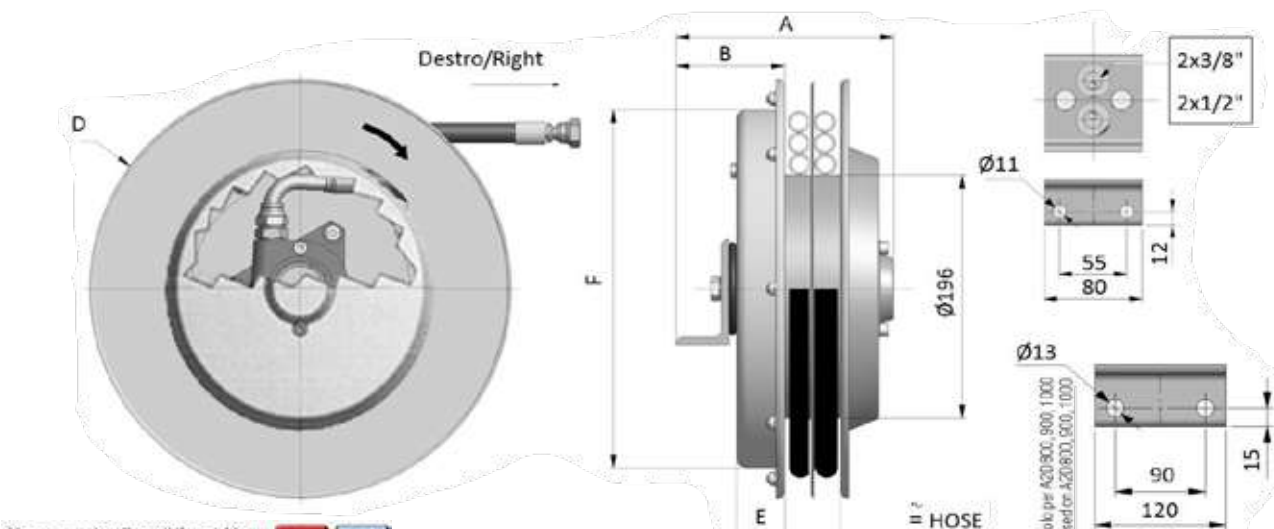
## DOPPELSCHLAUCHROLLE

Max flow rate: 40 l/min  
 Working pressure: standard 300 bar  
 optional 400 bar  
 Max hose speed: 30 m/min  
 Temperature range: -20/+80°C  
 Optional temperature range: -40/+80°C



Corsa verticale verso il basso opzionale = CODICE/VD  
 Vertical downwards is optional = CODE/VD

A2D400=modello destro/right model  
 A2S400=modello sinistro/left model



Disegno tecnico disponibile a richiesta PDF STEP  
 Technical drawing available on request PDF STEP

Modello destro Right model	A	B	D	E	F	Senza tubo Without hose	Ø	Con tubo - with B1 / T2 / B3 hose			Con tubo - with 4SP hose				
								Lungh.totale Total length	Lungh. Utile Usable length	B1 XX=B1	T2 XX=T2	B3 XX=B3	Lungh.totale Total length	Lungh.utile Usable length	4SP XX=4SP
								m	m				m	m	
A2D296.06.XX							1/4"	2.3	2.0				-	-	
A2D296.08.XX	161	75	295	35	291	13	5/16"	1.4	1.1				-	-	
A2D296.10.XX							3/8"	1.5	1.2				-	-	
A2D296.12.XX							1/2"	1.5	1.2				-	-	
A2D321.06.XX							1/4"	3.3	3.0				-	-	
A2D321.08.XX	161	82	325	37	272	14	5/16"	2.3	2.0				-	-	
A2D321.10.XX							3/8"	2.4	2.1				-	-	
A2D321.12.XX							1/2"	1.5	1.2				-	-	
A2D341.06.XX							1/4"	3.3	3.0				-	-	
A2D341.08.XX	161	82	340	37	272	14	5/16"	3.3	3.0				-	-	
A2D341.10.XX							3/8"	2.4	2.1				-	-	
A2D341.12.XX							1/2"	2.5	2.2				-	-	
A2D370.06.XX							1/4"	4.3	4.0				-	-	
A2D370.08.XX	161	82	370	37	272	15	5/16"	4.4	4.1				-	-	
A2D370.10.XX							3/8"	3.5	3.2				-	-	
A2D370.12.XX							1/2"	3.6	3.3				-	-	
A2D400.06.XX							1/4"	5.5	5.2				-	-	
A2D400.08.XX	161	82	400	47	322	15	5/16"	5.7	5.4				-	-	
A2D400.10.XX							3/8"	4.6	4.3				-	-	
A2D400.12.XX							1/2"	4.5	4.2				-	-	
A2D420.06.XX							1/4"	6.7	6.2				-	-	
A2D420.08.XX	161	82	420	47	322	19	5/16"	5.7	5.2				-	-	
A2D420.10.XX							3/8"	4.6	4.3				-	-	
A2D420.12.XX							1/2"	4.7	4.2				-	-	
A2D470.06.XX							1/4"	9.5	9.0				-	-	
A2D470.08.XX	161	82	478	47	322	21	5/16"	8.4	7.9				-	-	
A2D470.10.XX							3/8"	7.3	6.8				-	-	
A2D470.12.XX							1/2"	6.3	5.8				-	-	

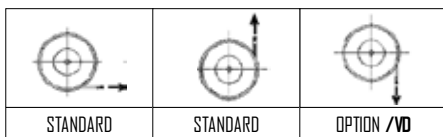


**AVVOLGITUBO A 2 VIE IDRAULICHE**  
**ENROULEUR HYDRAULIQUE À 2 TUYAUX**

**2 PORT HOSE REEL**  
**DOPPELSCHLAUCHROLLE**

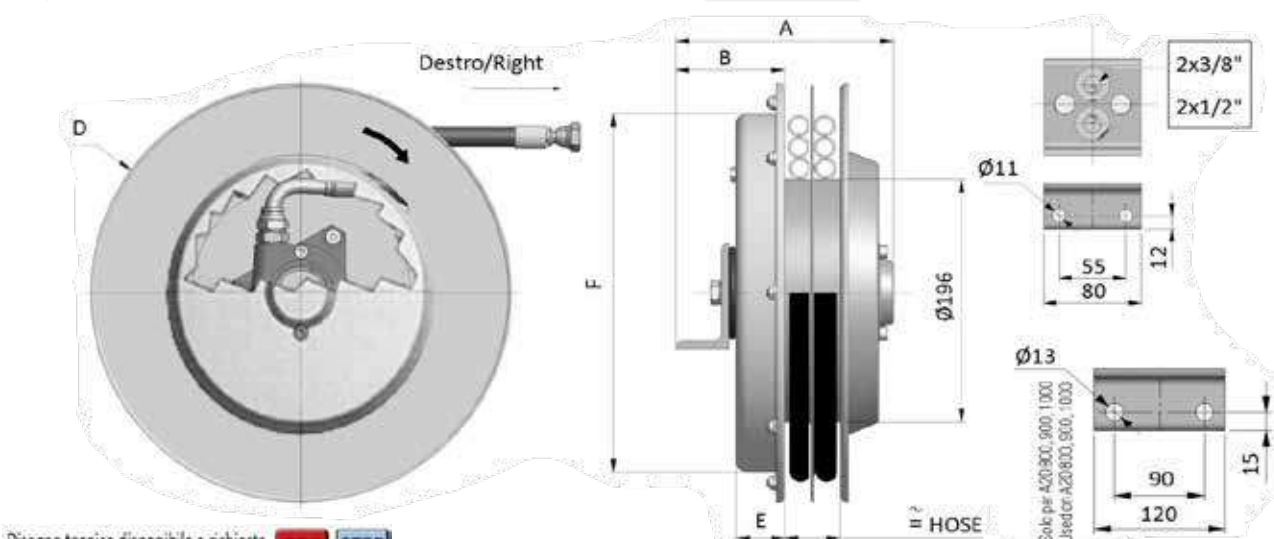
**A2**

Max flow rate: 40 l/min  
 Working pressure: standard 300 bar  
 optional 400 bar  
 Max hose speed: 30 m/min  
 Temperature range: -20/+80°C  
 Optional temperature range: -40/+80°C



**Corsa verticale verso il basso opzionale = CODICE/VD**  
**Vertical downwards is optional = CODE/VD**

A2D400=modello destro/right model  
 A2S400=modello sinistro/left model



Disegno tecnico disponibile a richiesta PDF STEP  
 Technical drawing available on request PDF STEP

Modello destro Right model	A	B	D	E	F	Senza tubo Without hose	kg	Ø	Con tubo - with B1 / T2 / B3 hose			Con tubo - with 4SP hose				
									Lungh.totale Total length	Lungh. Utile Usable length	B1 XX=B1	T2 XX=T2	B3 XX=B3	Lungh.totale Total length	Lungh.utile Usable length	4SP XX=4SP
									m	m				m	m	
A2D520.06.XX	171	92	520	47	322	23		1/4"	11.1	10.6				-	-	
A2D520.08.XX								5/16"	9.9	9.4			-	-		
A2D520.10.XX								3/8"	10.0	9.5			-	-		
A2D520.12.XX								1/2"	7.9	7.4			5.0	4.7		
A2D570.06.XX	171	92	570	47	422	28		1/4"	14.5	14.0				-	-	
A2D570.08.XX								5/16"	11.6	11.1			-	-		
A2D570.10.XX								3/8"	12.0	11.5			-	-		
A2D570.12.XX								1/2"	9.7	9.2			6.7	6.2		
A2D600.06.XX	171	92	620	47	422	34		1/4"	16.3	15.8				-	-	
A2D600.08.XX								5/16"	15.2	14.7			-	-		
A2D600.10.XX								3/8"	15.0	14.5			-	-		
A2D600.12.XX								1/2"	11.4	10.9			8.5	8.0		
A2D650.06.XX	181	102	650	57	422	37		1/4"	18.3	17.8				-	-	
A2D650.08.XX								5/16"	17.2	16.7			-	-		
A2D650.10.XX								3/8"	17.0	16.5			-	-		
A2D650.12.XX								1/2"	11.8	11.3			10.5	10.0		
A2D700.06.XX	181	102	720	57	532	40		1/4"	22.5	22.0				-	-	
A2D700.08.XX								5/16"	19.3	18.8			-	-		
A2D700.10.XX								3/8"	18.5	18.0			-	-		
A2D700.12.XX								1/2"	15.0	14.5			12.6	12.1		